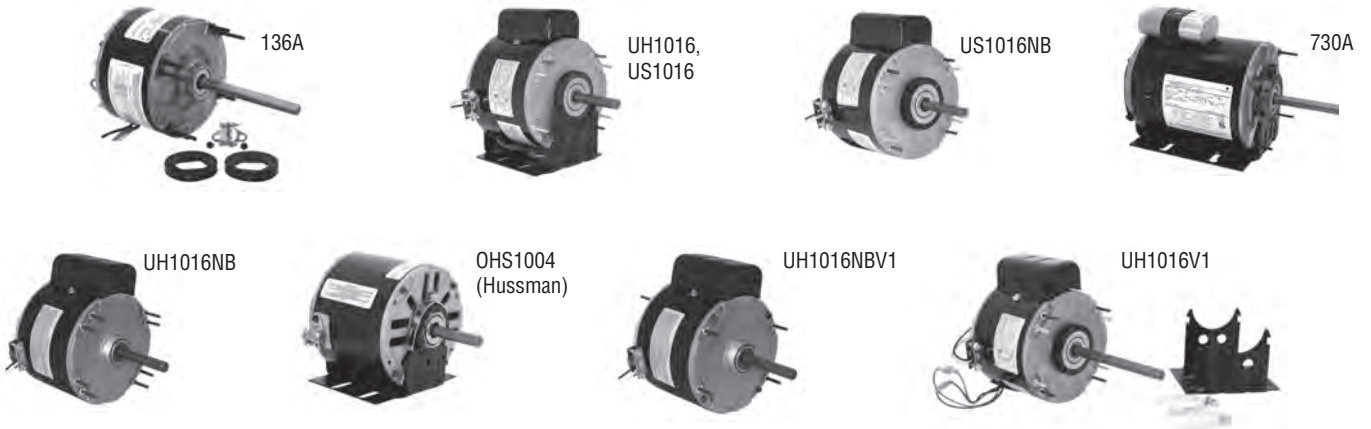


# 5-5/8" Totally Enclosed Fan/Blower Motors

## Unit Heater Fan Motors

### Features:

- Continuous Duty, Air Over
- Permanent Split Capacitor
- Sleeve & Ball Bearing Models
- Thermally Protected
- 60 Hz
- 48Y Frame



HP	RPM	Speeds	Volts	Amps	Stock		Bearings	Rotation	Capacitor	Encl.	Base	Dim.	
					Number	Notes						Ref.	Notes
1/8	1550	1	230	1.0	OHS1004	3,31	Sleeve	CWLE	5MFD/370V	Semi-encl.	Resilient	5	3,31
1/6	1075	1	115	2.8	US1016	31,89,279,286	Sleeve	REV.	Included	TE	Resilient	1	31,89,279,286
1/6	1075	1	115	2.8	US1016NB	31,89,279	Sleeve	REV.	Included	TE	None	6	31,89,279
1/6	1075	1	115	2.2	UH1016	29,89,279,286	Ball	REV.	Included	TE	Resilient	2	29,89,279,286
1/6	1075	1	115	2.2	UH1016NB	29,89	Ball	REV.	Included	TE	None	7	29,89
1/6	1075	1	115	2.2	UH1016NBV1	29,89	Ball	REV.	Included	TE	None	7	29,89
1/6	1075	1	115	2.2	UH1016V1	29,89,286	Ball	REV.	Included	TE	Resilient	8	29,89,286
1/6	1075	2	115	2.4	136A	7,29,279	Ball	REV.	7.5MFD-370V	TE	None	3	7,29,279
1/6	1140	1	115/208-230	2.1/1.1	730A	26,29,189	Ball	REV.	Included	TE	Resilient	4	26,29,189

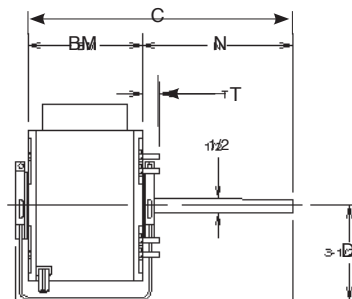
### Notes:

- 3. Special OEM Replacement Motor (see pages 94-132)
- 7. Resilient mounting rings included
- 26. Extended thru bolts, shaft end only
- 29. 60°C Ambient
- 31. 40°C Ambient
- 89. 60° leads
- 189. Includes split bushing and key for 5/8" shafts
- 279. 4 thru bolts and 4 dummy studs on a 5.15 dia. bolt circle
- 286. 3.5" Shaft Height

Continues on next page

### Approximate Dimensions

Ref.	BM	R	C	N	T	D
1	4.36	4.92	7.35	2.49	0.65	3.50
2	4.24	4.80	8.02	3.28	0.88	3.50
3	3.75		9.23	5.48	1.50	
4	6.00		11.05	5.05	0.88	3.00
5	3.74		5.74	2.00		3.50
6	4.36		7.35	2.99	0.65	
7	4.24		8.02	3.78	0.88	
8	4.24	4.80	9.74	5.50	0.88	

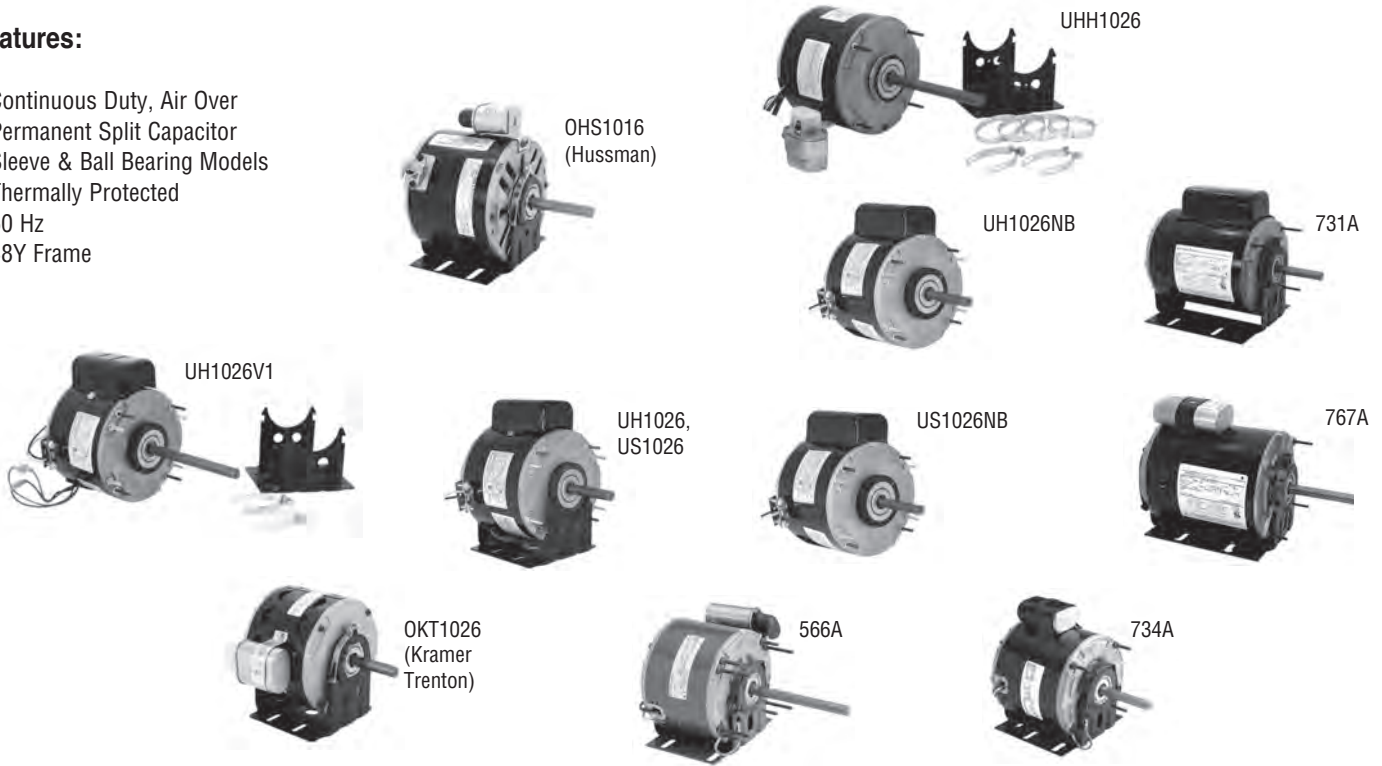


R = Ring to Ring Dim.

## Unit Heater Fan Motors

### Features:

- Continuous Duty, Air Over
- Permanent Split Capacitor
- Sleeve & Ball Bearing Models
- Thermally Protected
- 60 Hz
- 48Y Frame



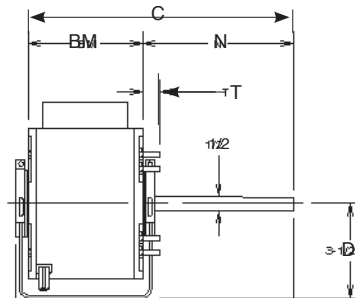
HP	RPM	Speeds	Volts	Amps	Stock						Dim.	
					Number	Bearings	Rotation	Capacitor	Encl.	Base	Ref.	Notes
1/5	1075	1	230	1.6	<b>OHS1016</b>	Sleeve	CWLE	5MFD/370V	Semi-encl.	Resilient	1	3,29
1/4	1075	1	115	3.3	<b>566A</b>	Sleeve	CCWLE	Included	TE	Resilient	3	29
1/4	1075	1	115	4.9	<b>US1026</b>	Sleeve	REV.	Included	TE	Resilient	2	31,279,286
1/4	1075	1	115	4.9	<b>US1026NB</b>	Sleeve	REV.	Included	TE	None	2	31,89,279
1/4	1075	1	115	4.9	<b>UH1026</b>	Ball	REV.	Included	TE	Resilient	2	31,89,279,286
1/4	1075	1	115	4.9	<b>UH1026NB</b>	Ball	REV.	Included	TE	None	10	31,89
1/4	1075	1	115	4.9	<b>UH1026V1</b>	Ball	REV.	Included	TE	Resilient	7	31,89
1/4	1135	1	115	4.5	<b>734A</b>	Sleeve	CCWLE	Included	TE	Resilient	4	29
1/4	1075/900	1	115/208-230	3.0/1.5	<b>OKT1026</b>	Ball	CCWLE	Included	Semi-Encl.	Resilient	9	3,31,150
1/4	1140	1	115/208-230	3.1/1.6	<b>731A</b>	Ball	REV.	Included	TE	Resilient	5	29,189
1/4	1075	1	208-230	1.8	<b>UHH1026</b>	Ball	REV.	4MFD/370V	TE	Resilient	7	6,31,286
1/4	1725	1	115/230	3.0/1.6	<b>767A</b>	Ball	REV.	Included	TE	Resilient	6	29,189

### Notes:

- 3. Special OEM Replacement Motor (see pages 94-132)
- 6. 60/50 HZ
- 29. 60°C Ambient
- 31. 40°C Ambient
- 89. 60" leads
- 150. Rated 50/60 HZ
- 189. Includes split bushing and key for 5/8" shafts
- 279. 4 thru bolts and 4 dummy studs on a 5.15 dia. bolt circle
- 286. 3.5" Shaft Height

### Approximate Dimensions

Ref.	BM	R	C	N	T	D
1	4.24		7.24	3.00		3.50
2	4.36	4.92	7.35	2.49	0.65	3.50
3	4.25		9.77	5.52	1.51	3.00
4	5.00		8.39	3.39	0.86	3.00
5	6.25		11.33	5.08	0.88	3.00
6	6.75		11.83	5.08	0.88	3.50
7	4.36	4.92	9.86	5.50	0.65	3.00
8	4.36		7.34	2.97	0.65	3.00
9	4.86		7.33	2.50		3.00
10	4.36		7.34	2.97	0.65	



R = Ring to Ring Dim.

# 5-5/8" Totally Enclosed Fan/Blower Motors

## Unit Heater Fan Motors

### Features:

- Continuous Duty, Air Over
- Permanent Split Capacitor
- Sleeve & Ball Bearing
- Thermally Protected
- 60 Hz
- 48Y Frame



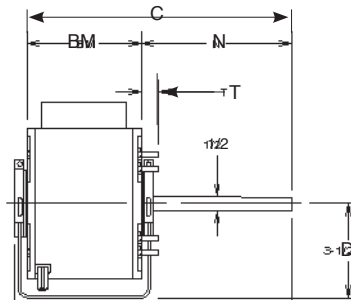
HP	RPM	Speeds	Volts	Amps	Stock			Capacitor	Encl.	Base	Dim.	
					Number	Bearings	Rotation				Ref.	Notes
1/3	1075	1	115	5.3	<b>US1036</b>	Sleeve	REV.	Included	TE	Resilient	3	31,89,279
1/3	1075	1	115	5.3	<b>US1036NB</b>	Sleeve	REV.	Included	TE	None	7	31,279
1/3	1075	1	115	5.3	<b>UH1036</b>	Ball	REV.	Included	TE	Resilient	3	31,89,279
1/3	1075	1	115	5.3	<b>UH1036V1</b>	Ball	REV.	Included	TE	Resilient	9	31,89,279
1/3	1140	1	115/208-230	3.3/1.7	<b>732A</b>	Ball	REV.	Included	TE	Resilient	4	29,189
1/3	1075	1	208-230	2.2	<b>UHH1036</b>	Ball	REV.	Included	TE	Resilient	9	6,31
1/3	1100	2	230	1.7-1.1	<b>UHH1036NB</b>	Ball	REV.	Included	TE	None	8	9,31,360
1/3	1100	2	115	4.3-1.8	<b>UH1036NB</b>	Ball	REV.	Included	TE	None	8	9,31,360
1/3	1725	1	115/230	2.9/1.5	<b>768A</b>	Ball	REV.	Included	TE	Resilient	1	29,189
1/2	1140	1	115/208-230	5.6/2.8	<b>733A</b>	Ball	REV.	Included	TE	Resilient	5	29
1/2	1725	1	115/230	5.4/2.7	<b>769A</b>	Ball	REV.	Included	TE	Resilient	6	29

### Notes:

- 6. 60/50 HZ
- 9. Reversing plug
- 29. 60°C Ambient
- 31. 40°C Ambient
- 89. 60" leads
- 189. Includes split bushing and key for 5/8" shafts
- 279. 4 thru bolts and 4 dummy studs on a 5.15 dia. bolt circle
- 360. 4 thru bolts in a 5.15 dia. bolt circle

### Approximate Dimensions

Ref.	BM	R	C	N	T	D
1	6.75		11.83	5.08	0.88	3.00
2	4.25		9.80	5.55	1.52	3.00
3	4.61		7.60	2.99	0.65	3.50
4	6.50		11.58	5.08	0.88	3.00
5	7.25		12.28	5.03	0.88	3.00
6	7.50		12.58	5.08	0.88	3.00
7	4.61		7.60	2.99	0.65	
8	5.11	5.67	10.61	5.50	2.56	
9	4.61	5.17	10.11	5.50	0.65	3.50



R = Ring to Ring Dim.